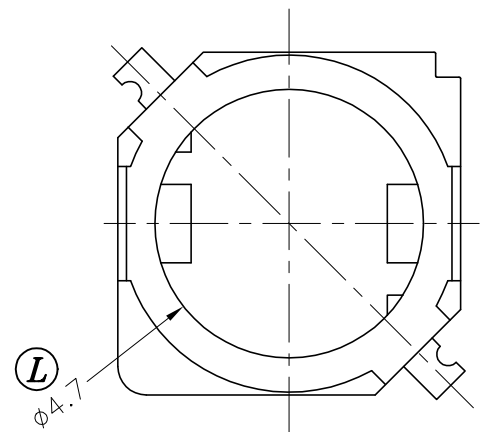


DRAWING NO.	MATERIAL:	ORIGIN:
SB-017-1	LCP E4008	DG



REV.	REVISIONS	REC.	REV.	REVISIONS	REC.

DRAWN & DRAFTED BY LIU ZHIYUAN	TOLERANCES		ANGLE:	TITLE: SMD BASE 6.0X6.0X0.5
	0<L≤4 ±0.1	COPLANARITY	±1°	
CHECKED & APPROVED BY JOHN RONG	4<L≤16 ±0.2	0.1 MAX	UNIT:	BOBBIN MATERIAL:
	16<L≤63 ±0.3		MM	LCP E4008
	ORIGIN:	DG	PIN MATERIAL:	UL REC.
			PHOSPHOR BRONZE	UL 94V-0
TEL:886-2-22990545	FAX:886-2-22990546	DATE:	DRAWING NO.	REV.
		FEB.08 '2001	SB-017	0